



55 SERIES

UNDERWATER ELECTRICAL DRY-MATE CONNECTORS

The 55 SERIES of underwater electrical dry-mate connectors contain significant design improvements over other industry standard connectors, whilst maintaining compatibility and inter-changeability with them. This connector range is also available in Polyetheretherketone which was selected for its superior chemical resistance, excellent electrical properties, wear and abrasion resistance and light weight.

Key features include:-

Industry Standard Compatibility

Proven Sealing Technology

Heavy Duty Stub Acme Threads

Pressure Rated Blanking Caps available AVAILABILITY

The 55 SERIES is available in 5 shell sizes with up to 24 contacts with PBOF(Pressure Balanced Oil Filled) options.

Manufactured from 316L Stainless Steel as standard, other materials are also available upon request including Titanium, Aluminium Bronze and Alloy 625.

APPLICATIONS

This connector range is suitable for a variety of applications including ROV's, underwater cameras, diver communications, lights and pan and tilts.



strong
x
durable



OUR ADVANTAGES



EASY SOLUTIONS

ADAPTABILITY IS ONE OF OUR BEST QUALITIES IT PERMIT US TO COPE WITH YOUR REQUEST ON A SHORT NOTICE AND EFFECTIVELY.



NO PRICE FIGHTS

WE ESCAPED THE CLASSICAL "REBATE UNTIL YOU DROP" POLICY. WE ARE PRICE WISE SINCE THE BEGINNING



HIGH LEVEL EXPERIENCE

OUR TECHNICAL CAPABILITIES HAVE BEEN TESTED FOR MORE THAN 30 YEARS AND IN DIRECT CONNECTION WITH END USERS. SO TODAY



ENDLESS INVESTIGATION

WE CONTINUOUSLY MEASURE EVERYTHING TEST, TEST AND TEST AGAIN. THIS HELPS US UNDERSTAND RISKS AND REWARDS. AND BE PREPARED



NO FORTUNE TELLER

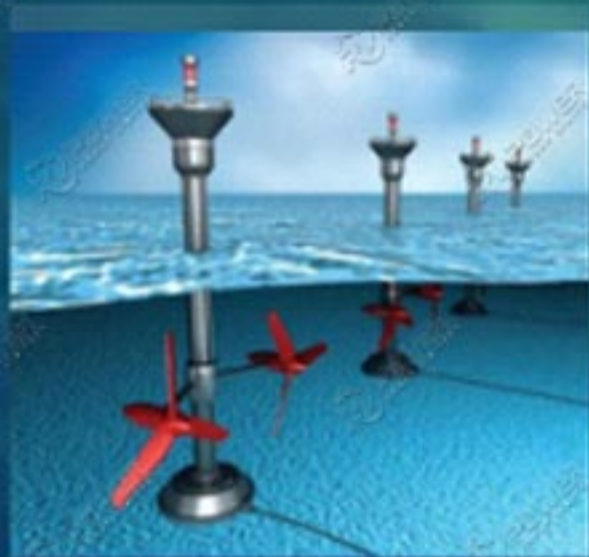
WE BASE OUR DECISIONS ON CLEAR BUSINESS PLANS, THINKING BEFORE MAKING OUR STEPS AND KEEPING A "NOT TO DO" LIST FOR EVERYONE OF THEM



TEAM BUILDING

OUR TEAM IS MADE NOT ONLY BY OUR STAFF BUT IT INCLUDES ALSO ALL OUR CUSTOMERS WE ACT LIKE A TEAM WE GROW LIKE A TEAM WE WIN LIKE A TEAM

APPLICATION



Marine Renewable Energies



Diving



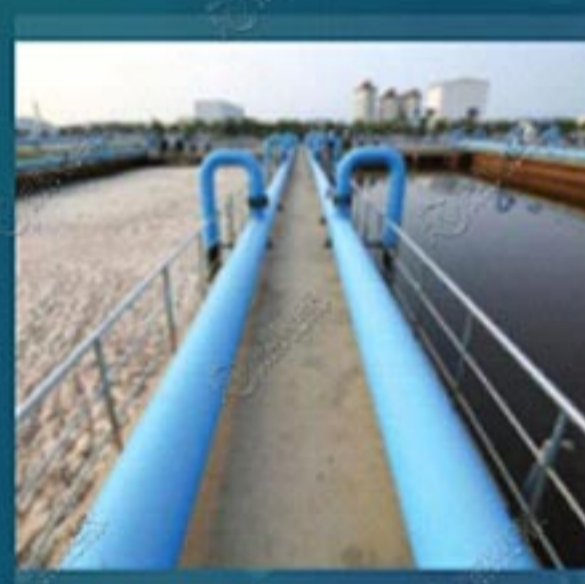
Oil and Gas



Towed Streamers



Submarines



Water Treatment



ROVs & AUVs



Vessels

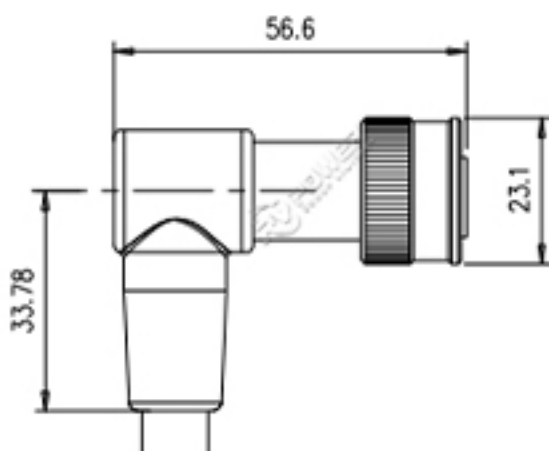
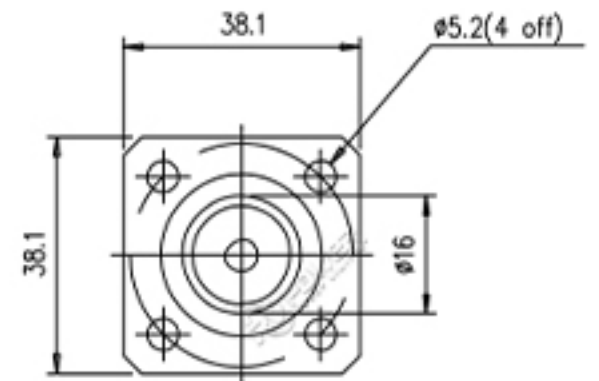
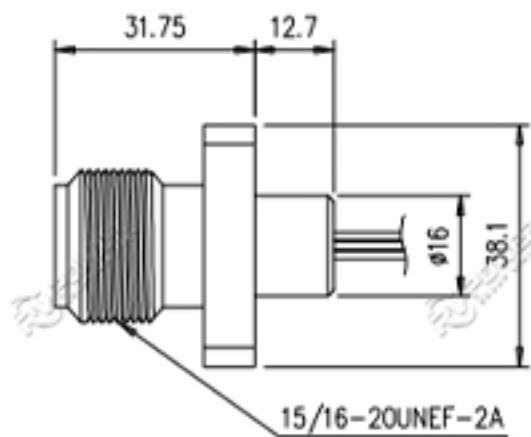
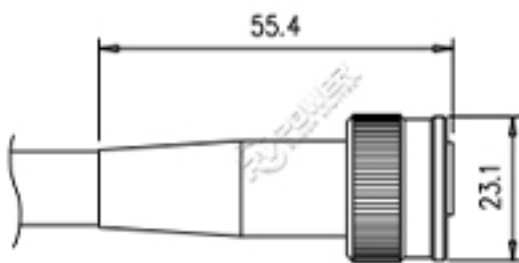
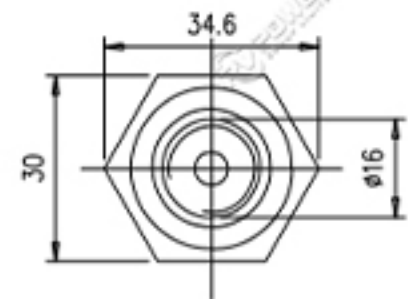
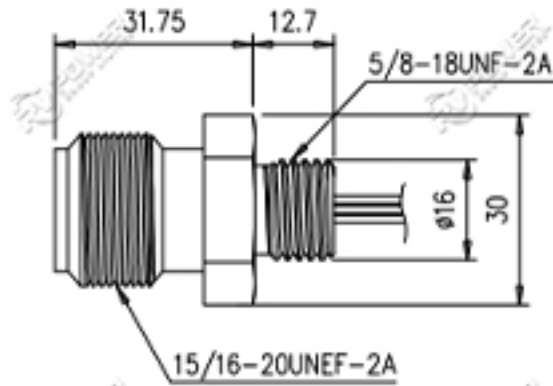
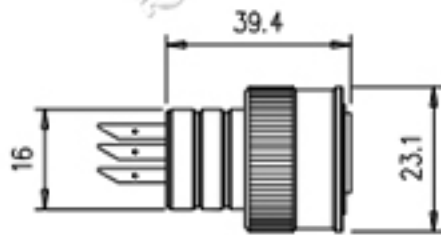


Geophysics

strong
×
durable



PRODUCT MIX



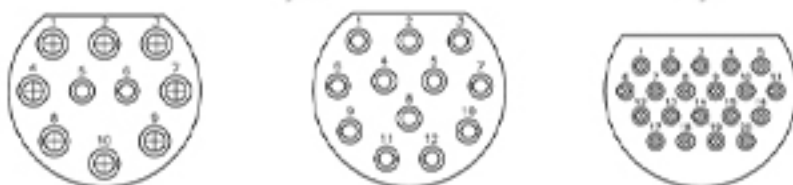
15



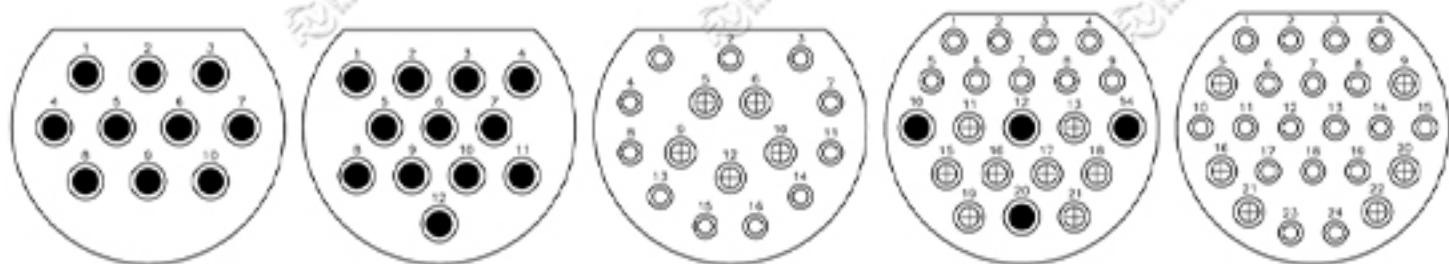
16



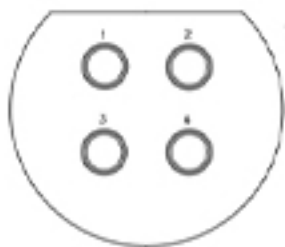
20



24



32







SUBSEA CONNECTORS AND SUBSEA CABLES

RV POWER GROUP is a underwater connector factory in China. We are a global supplier focusing on the ocean (marine) solution for underwater connectors and cables. Specializing in the design, manufacture, sales and service. If your project is in the design stage, we can provide engineering assistance with the professional advice. If your requirements are already specified and ready for quote, we will try our best to meet your deadlines and pricing targets and finally deliver the high-quality stable products as you need.

RV POWER GROUP subsea connectors and subsea cables are suitable for oceanographic systems, offshore oil and gas, defense systems, geo-seismic research, diving systems and equipment, ship projects, subsea survey, underwater instruments, mining equipment, underwater monitoring/inspection/observations, underwater data logger, subsea navigator, hydrography equipment, aquaculture farm and services inspection, underwater robotics like remote operation vehicles (ROV's & ROUV's) and autonomous Underwater Vehicles (AUV), and submarines, ship towed sonars and underwater acoustic devices, etc.

With the state-of-the-art technology and professional engineer team, we believe you find the right partner here with excellent service. In case you do not find a suitable solution within our standard range, please do not hesitate to contact us for customization.

Underwater and harsh environment connectors

Circular Series

Micro Circular Series

Low Profile Series

Micro Low Profile series

Ethernet Series

Optical fiber and Power Series

power series

split series

Aviation plug Series

Coax series

Metal Shell series

RMG Series

55 Series

Specials Series

Underwater PUR Cable

ROV Tether Cable

Additional accessories



55 SERIES

UNDERWATER ELECTRICAL DRY-MATE CONNECTORS



strong
x
durable



DETAIL DISPLAY



ONE



The series is developed and manufactured to accommodate the demand for gigabit data speed, signal and power for increasingly capable and compact underwater systems

TWO

Ethernet series marked the first high speed underwater communications system to offer true Ethernet type performance



THREE

With power contacts rated for 600 V at 4 A, combined power and Ethernet connectors allow signal and power supply to be unified in one high performance solution.



FOUR

Ethernet connectors are available with specially designed Ethernet or combined power and Ethernet cables capable of Gigabit speed data transfer up to a distance of 75 metres



FIVE

This flexible and water-resistant cable is manufactured from polyurethane (PUR).





OIL RESISTANT



FLAE RESISTANT



HALOGEN FREE



COLD RESISTANT



ABRASION RESISTANT



OZONE RESISTANT



UV RESISTANT



MICROBE RESISTANT



MUD RESISTANT



WATER RESISTANT

OVER 20 YEARS

OF SPECIAL CABLE AND CUSTOM-MADE CABLE / CONNECTORS MANUFACTURING

WE CAN TURN YOUR DESIGN INTO A REAL OBJECT.

OUR TRANSPORTATION



THANK YOU

FOR YOUR ATTENTION
LOOK FORWARD TO COOPERATING WITH YOU



www.subseaconn.com



sales@subseaconn.com



Jackiefanonline88



Tel:+86 18501648956



Whatsapp: +86-18501648956



specialcable